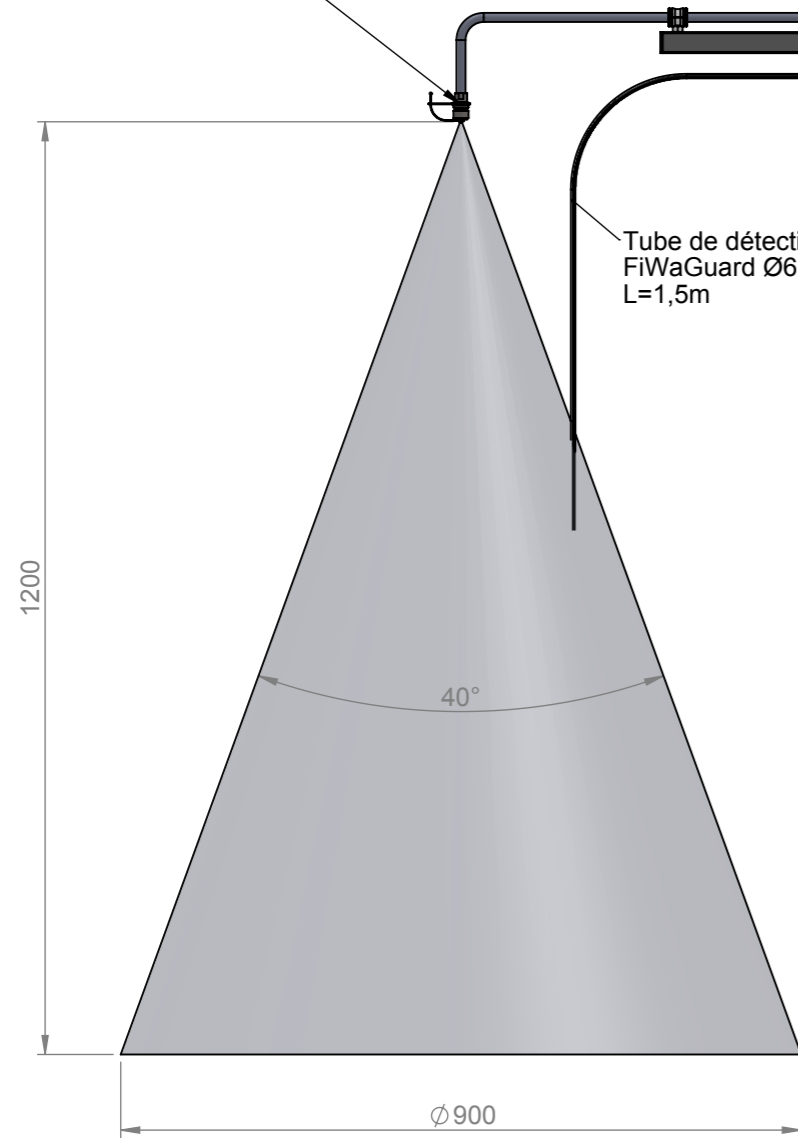
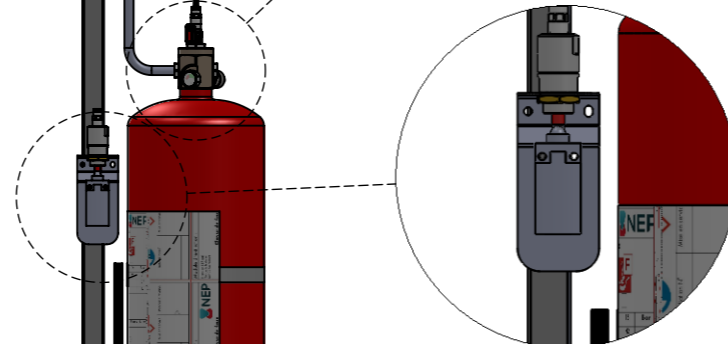
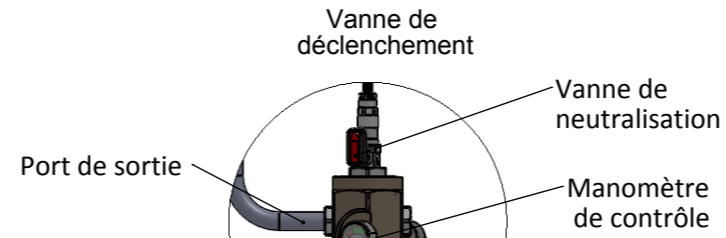


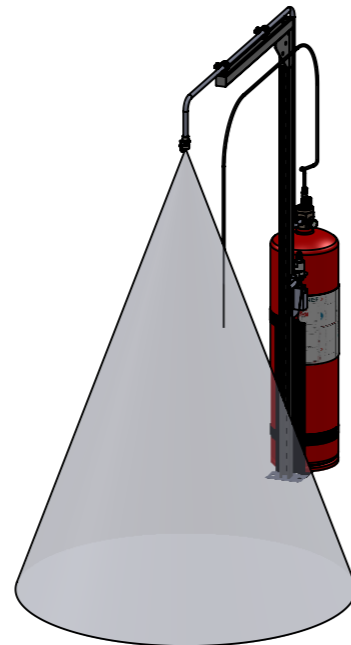
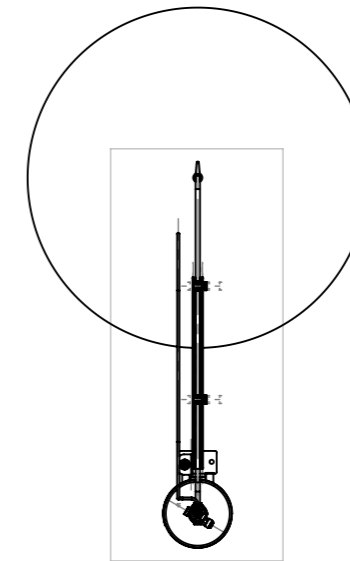
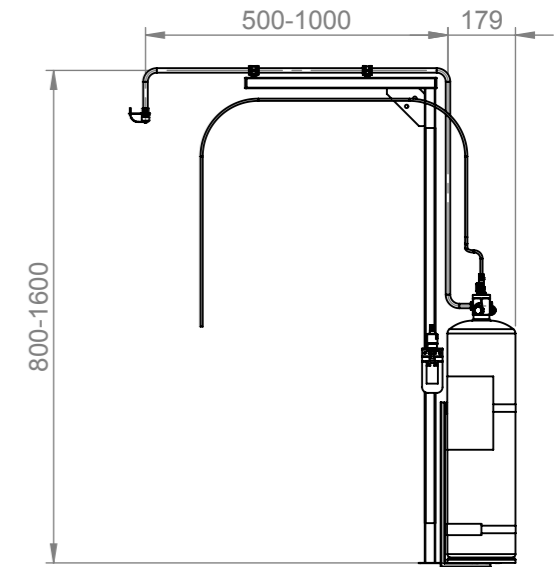
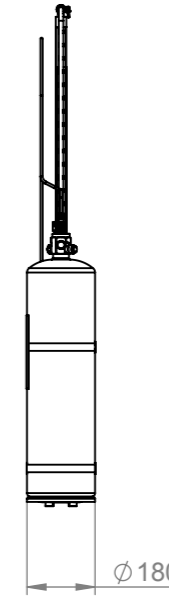
Buse de pulvérisation :
 Pour la projection de mousse ununiforme
 Cône plein .
 Option : buse supplémentaire



Tube de détection de flamme:
 FiWaGuard Ø6mm
 L=1,5m



RESEVOIR ACIER
 Traitement interne: Protection PU
 Traitement Externe: Laquage RAL3000
 Volume : 15L
 Pression Service: 15Bar
 Volume Agent: 12L Eau Additivé sans fluor



The reproduction, distribution and utilization of this document as well as the communication of its contents to others without express authorization is prohibited. Offenders will be held liable for the payment of damages. All rights reserved in the event of the grant of a patent, utility model or design. (ISO16016)

general tolerances: DIN ISO 2768-1 m	test method for surface control in accordance to DIN EN ISO 3274	All non-dimensioned edges: -0,2 / +0,2	$\sqrt{x/y} = \sqrt{Ra \times X}$	weight (gr): surface (mm²):	UNLESS OTHERWISE SPECIFIED: DIMENSIONS ARE IN MILLIMETERS
shape and positional tolerances: DIN ISO 2768-2 H				material:	
part name:				Système NEP Heating 12L	
index	revision	description of the revision		name	date
NEP		Extinction NEP 26rue le Bochet B-6792 Belgique +32 63 233423		date: 24/03/2016 name: CNepper reviewed:	DWG NO. IS1000005_M index
2		3		A3	
SCALE:1:20				SHEET 1 OF 1	